

APPROVED O.G. FIG.
BY CLASS/SUBCLASS
DRAWN

1/4

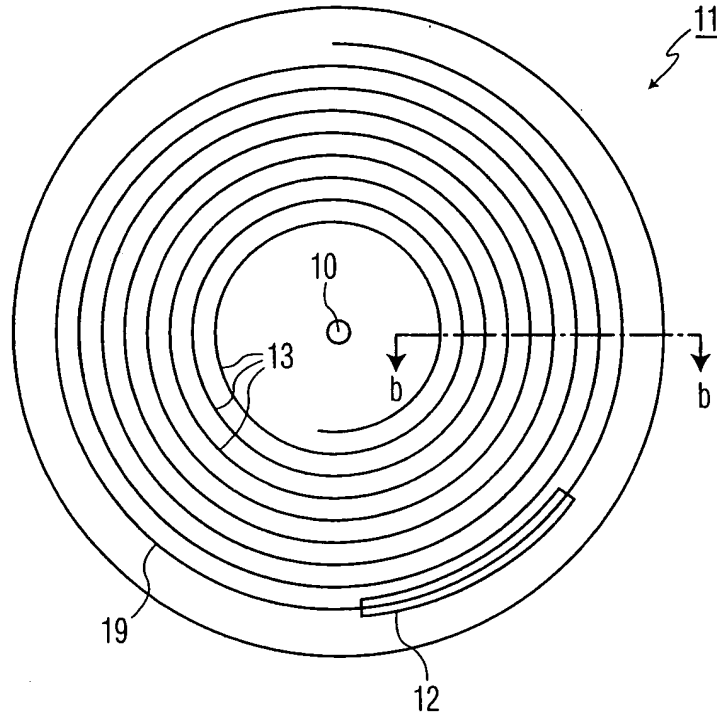


FIG. 1a

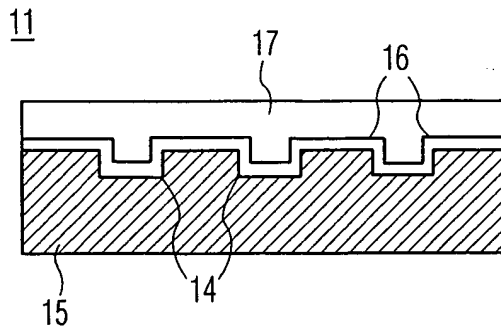


FIG. 1b

205210" 99295001

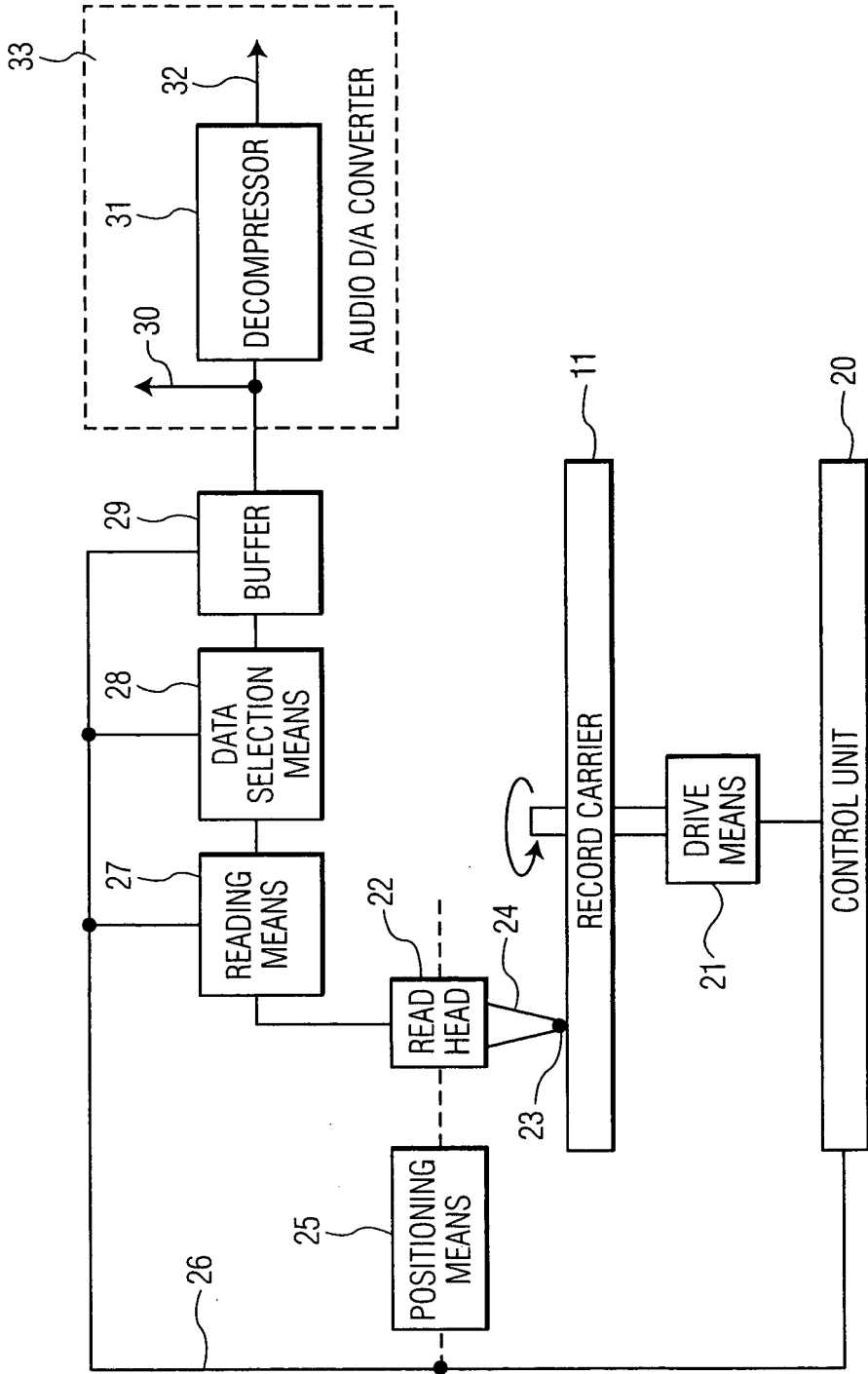


FIG. 2

U.S. PATENT OFFICE

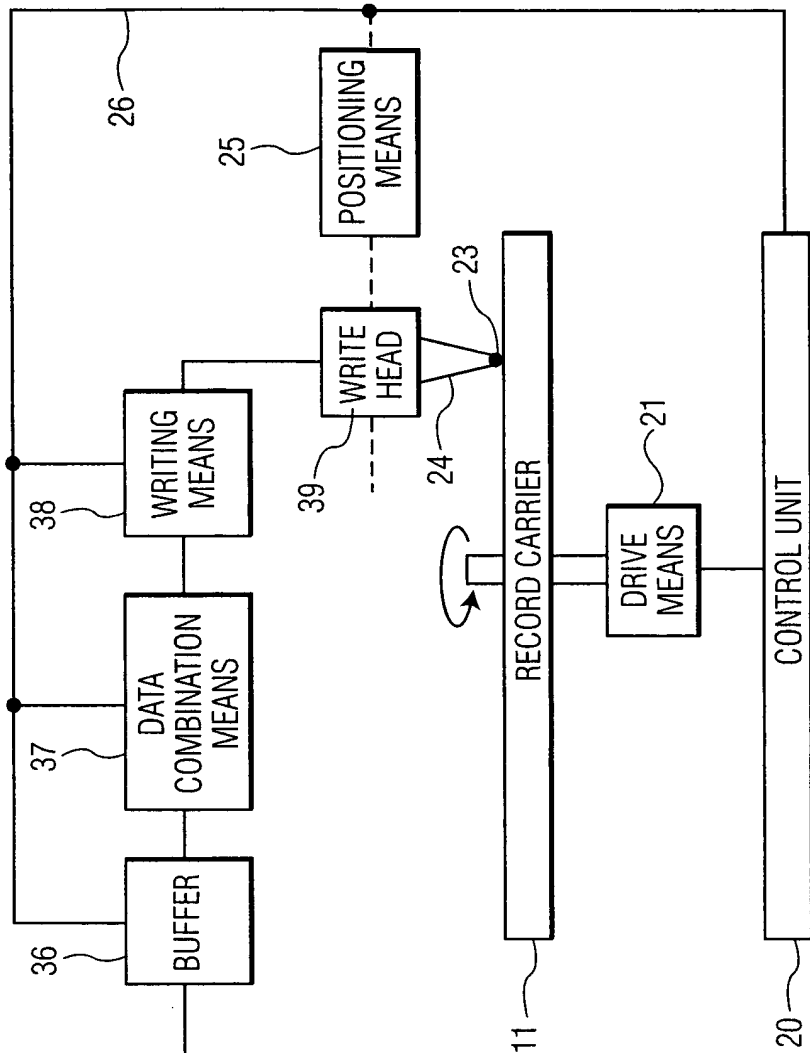


FIG. 3

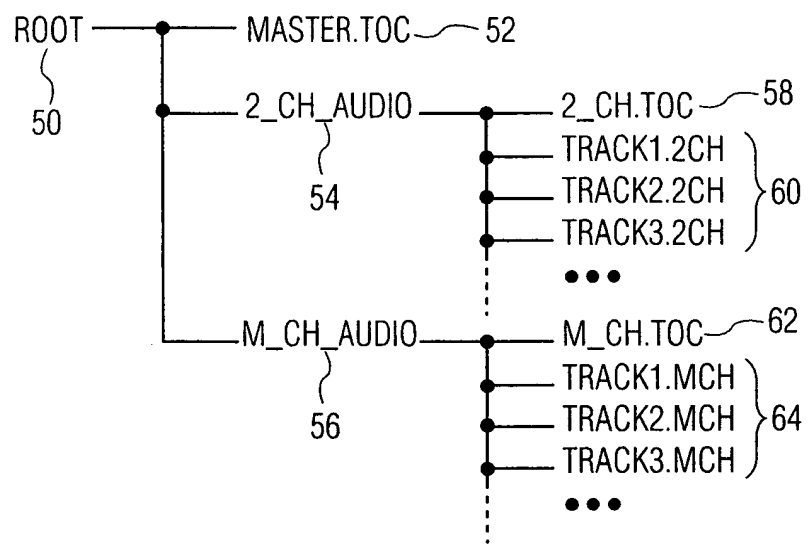


FIG. 4

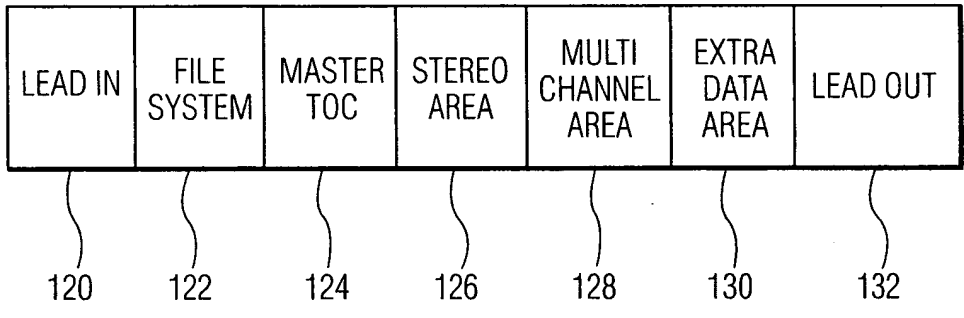


FIG. 5

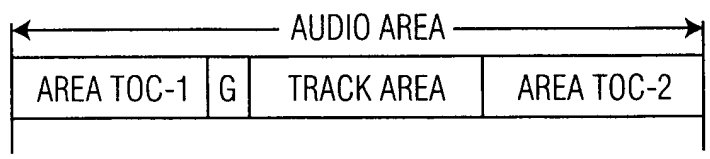


FIG. 6

2025 RELEASE UNDER E.O. 14176